

fram



Double door refrigerator

FDD-VRR311BDE++/FDD-VRR311BGE++

FDD-VRR311BLE++/FDD-VRR311YLE++

Total capacity: 311L

Energy class: E



Thank you for choosing this Fram product!

1. INTRODUCTION

Please read the instructions carefully and keep the manual for future information.

This manual is designed to give all necessary instructions concerning installation, use and maintenance of the unit. In order to operate the unit correctly and safely, please read this instruction manual carefully before installation and use.

2. YOUR PACKAGE CONTAINS

- ➔ Double door refrigerator
- ➔ User manual
- ➔ Certificate of warranty

3. SAFETY PRECAUTIONS

General warnings!

WARNING: Keep ventilation openings, in the appliance enclosure or in the built-in structure, clear of obstruction.

WARNING: Do not use mechanical devices or other means to accelerate the defrosting process, other than those recommended by the manufacturer.

WARNING: Do not use electrical appliances inside the food storage compartments of the appliance, unless they are of the type recommended by the manufacturer.

WARNING: Do not damage the refrigerant circuit.

WARNING: In order to avoid any hazards resulting from the instability of the appliance, it must be fixed in accordance with the following instructions:

WARNING: When positioning the appliance, ensure the supply cord is not trapped or damaged.

WARNING: Do not locate multiple portable socket-outlets or portable power supplies at the rear of the appliance.



Symbol ISO 7010 W021

WARNING: Risk of fire / flammable materials

- If your appliance uses R600a as a refrigerant (this information will be provided on the label of the cooler) you should take care during transportation and installation to prevent the cooler elements from being damaged. R600a is an environmentally friendly and natural gas, but it is explosive. In the event of a leak due to damage of the cooler elements, move your fridge away from open flames or heat sources and ventilate the room where the appliance is located for a few minutes.

- While carrying and positioning the fridge, do not damage the cooler gas circuit.

- Do not store explosive substances such as aerosol cans with a flammable propellant in this appliance.

- This appliance is intended to be used in household and domestic applications such as:

- staff kitchen areas in shops, offices and other working environments.
- farm houses and by clients in hotels, motels and other residential type environments.
- bed and breakfast type environments;
- catering and similar non-retail applications.

- If the socket does not match the refrigerator plug, it must be replaced by the manufacturer, a service agent or similarly qualified persons in order to avoid a hazard.

- A specially grounded plug has been connected to the power cable of your refrigerator. This plug should be used with a specially grounded socket of 16 amperes. If there is no such socket in your house, please have one installed by an authorized electrician.

- This appliance can be used by children aged from 8 years and above and persons with reduced physical, sensory or mental capabilities or lack of experience and knowledge if they have been given supervision or instruction concerning use of the appliance in a safe way and understand the hazards involved. Children shall not play with the appliance. Cleaning and user maintenance shall not be made by children without supervision.
- Children aged from 3 to 8 years are allowed to load and unload refrigerating appliances. Children are not expected to perform cleaning or user maintenance of the appliance, very young children (0-3 years old) are not expected to use appliances, young children (3-8 years old) are not expected to use appliances safely unless continuous supervision is given, older children (8-14 years old) and vulnerable people can use appliances safely after they have been given appropriate supervision or instruction concerning use of the appliance. Very vulnerable people are not expected to use appliances safely unless continuous supervision is given.
- If the supply cord is damaged, it must be replaced by the manufacturer, an authorized service agent or similar qualified persons, in order to avoid a hazard.
- This appliance is not intended for use at altitudes exceeding 2000 m.

Notes:

- Please read the instruction manual carefully before installing and using your appliance. ***We are not responsible for the damage occurred due to misuse.***
- Follow all instructions on your appliance and instruction manual and keep this manual in a safe place to resolve the problems that may occur in the future.
- This appliance is produced to be used in homes and it can only be used in domestic environments and for the specified purposes. It is not suitable for commercial or common use. Such use will cause the guarantee of the appliance to be cancelled and our company will not be responsible for losses incurred.
- This appliance is produced to be used in houses and it is only suitable for cooling / storing food. It is not suitable for commercial or common use and/or for storing substances except for food. Our company is not responsible for losses to be incurred in the contrary case.

To avoid contamination of food, please respect the following instructions:

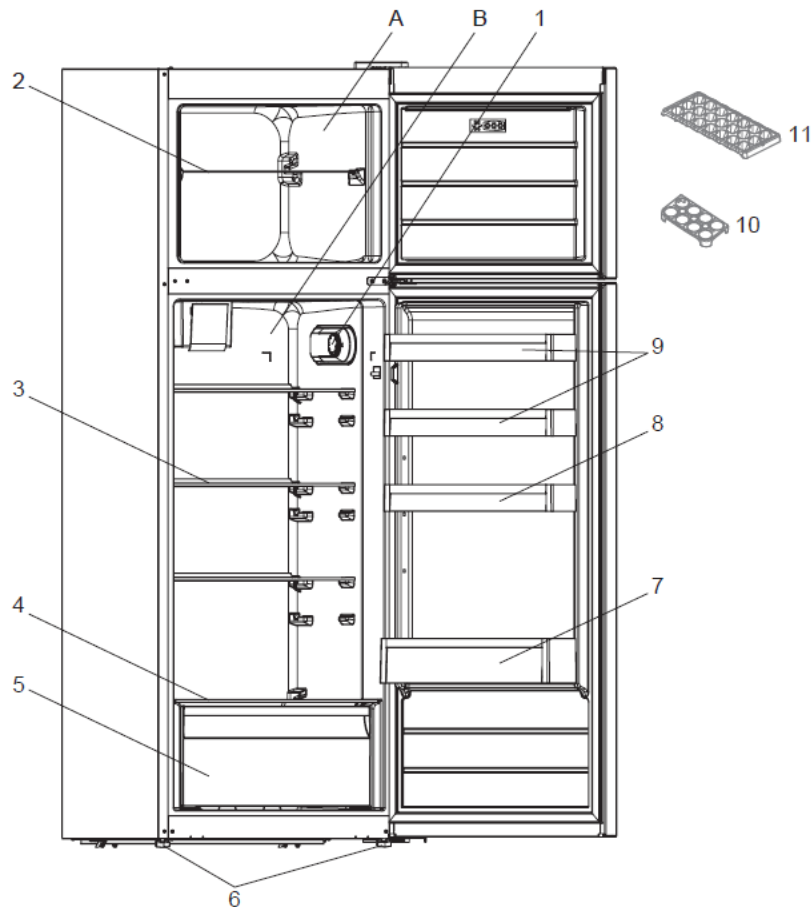
- Opening the door for long periods can cause a significant increase of the temperature in the compartments of the appliance.
- Clean regularly surfaces that can come in contact with food and accessible drainage systems
- Store raw meat and fish in suitable containers in the refrigerator, so that it is not in contact with or drip onto other food.
- Two-star frozen-food compartments are suitable for storing pre-frozen food, storing or making ice cream and making ice cubes.
- One-, two- and three-star compartments are not suitable for the freezing of fresh food.
- If the refrigerating appliance is left empty for long periods, switch off, defrost, clean, dry, and leave the door open to prevent mould developing within the appliance.

Safety warnings:

- Do not connect your fridge freezer to the mains electricity supply using an extension lead.
- Do not plug in damaged, torn or old plugs.
- Do not pull, bend or damage the cord.
- This appliance is designed for use by adults, do not allow children to play with the appliance or let them hang off the door.
- Never touch the power cord/plug with wet hands as this could cause a short circuit or electric shock.
- Do not place glass bottles or beverage cans in the ice-making compartment as they can burst as the contents freeze.
- Do not place explosive or flammable material in your fridge. Place drinks with high alcohol content vertically in the fridge compartment and make sure that their tops are tightly closed.
- When removing ice from the ice-making compartment, do not touch it. Ice may cause frost burns and/or cuts.
- Do not touch frozen goods with wet hands. Do not eat ice-cream or ice cubes immediately after you have taken them out of the ice-making compartment.
- Do not re-freeze frozen goods after they have melted. This may cause health issues such as food poisoning.
- Do not cover the body or top of fridge with lace. This affects the performance of your fridge.
- Secure any accessories in the fridge during transportation to prevent damage to the accessories.
- Do not use plug adapter.

4. PRODUCT DESCRIPTION

This appliance is not intended to be used as a built-in appliance.



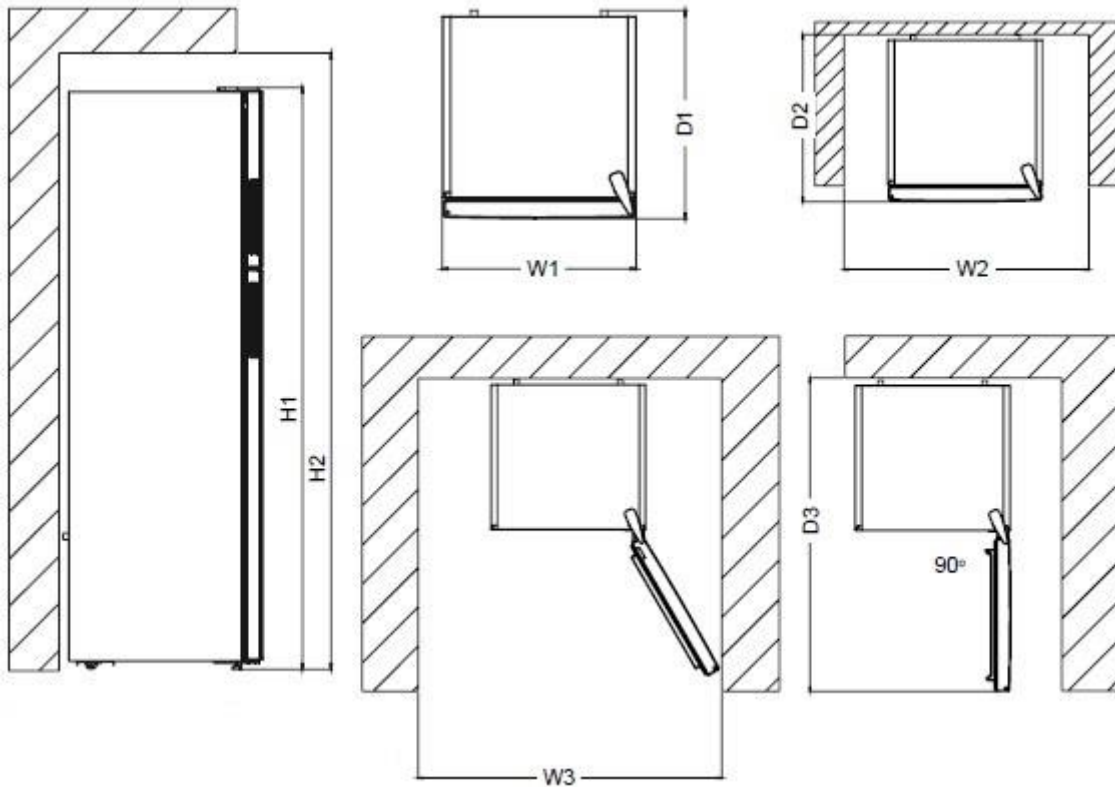
This presentation is only for information about the parts of the appliance. Parts may vary according to the appliance model.

A. Freezer compartment	6. Levelling feet
B. Fridge compartment	7. Bottle shelf
1. Thermostat box	8. Door shelf
2. Freezer shelf	9. Door shelves
3. Refrigerator shelves	10. Egg holder
4. Crisper cover	11. Ice box tray
5. Crisper drawer	

Fresh Food Compartment (Fridge): Most efficient use of energy is ensured in the configuration with the drawers in the bottom part of the appliance, and shelves evenly distributed, position of door bins does not affect energy consumption.

Freezer Compartment (Freezer): Most Efficient use of energy is ensured in the configuration with the drawers and bins are on stock position.

Dimensions



Overall dimensions 1

H1	mm	1794
W1	mm	605
D1	mm	636

Space required in use 2

H2	mm	1944
W2	mm	705
D2	mm	733,5

Overall space required in use 3

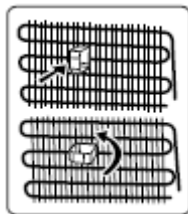
W3	m	931,5
D3	mm	1121,5

5. INSTALLATION

Before using the appliance, you should pay attention to the following points:

- The operating voltage for your fridge is 220-240 V at 50Hz.
- The plug must be accessible after installation.
- Before connecting your fridge freezer, ensure that the information on the data plate (voltage and connected load) matches that of the mains electricity supply. If in doubt, consult a qualified electrician.
- Insert the plug into a socket with an efficient ground connection. If the socket has no ground contact or the plug does not match, we recommend you consult a qualified electrician for assistance.
- The appliance must be connected with a properly installed fused socket. The power supply (AC) and voltage at the operating point must match with the details on the name plate of the appliance (the name plate is located on the inside left of the appliance).

- We do not accept responsibility for any damages that occur due to ungrounded usage.
- Place your fridge where it will not be exposed to direct sunlight.
- Your appliance should be at least 50 cm away from stoves, gas ovens and heater cores, and at least 5 cm away from electrical ovens.
- Your fridge should never be used outdoors or exposed to rain.
- When your fridge is placed next to a deep freezer, there should be at least 2 cm between them to prevent humidity forming on the outer surface.
- Do not place anything on your fridge, and install your fridge in a suitable place so that at least 15 cm of free space is available above it.
- Use the adjustable front legs to make sure your appliance is level and stable. You can adjust the legs by turning them in either direction. This should be done before placing food in the fridge.
- Before using your fridge, wipe all parts with a solution of warm water and a teaspoon of sodium bicarbonate, then rinse with clean water and dry. Place all parts in the fridge after cleaning.
- Install the plastic distance guide (the part with black vanes at the rear) by turning it 90° (as shown in the figure) to prevent the condenser from touching the wall.



- The refrigerator should be placed against a wall with a free space not exceeding 75 mm.
- Your fridge freezer may have an odour when it is operated for the first time. This is normal and the odour will fade when your fridge freezer starts to cool.
- Do not cover the body or top of fridge freezer with lace. This will affect the performance of your fridge freezer.
- Do not place heavy items on the appliance
- Clean the appliance thoroughly before use (see Cleaning and Maintenance).
- Clearance of at least 100 mm is required at the top of your appliance. Do not place anything on top of your appliance.

Before using the appliance

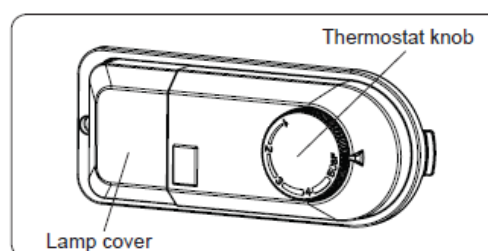
- When using your fridge for the first time, or after transportation, keep it in an upright position for at least 3 hours before plugging into the mains. This allows efficient operation and prevents damage to the compressor.
- Your fridge may have a smell when it is operated for the first time. This is normal and the smell will fade away when your fridge starts to cool.

6. USING THE APPLIANCE

Less Frost technology:

Thanks to the wrap around evaporator, LessFrost technology offers more efficient cooling, less manual defrosts requirement and more flexible storage room.

Thermostat setting



The thermostat automatically regulates the temperature inside the refrigerator and freezer compartments. Cooler temperatures can be obtained by rotating the knob to higher numbers, 1 to 5 and SF.

1 – 2: For short-term storage of food

3 – 4: For long-term storage of food

5: Maximum cooling position. The appliance will work longer. If required, change the temperature setting.

If device has SF position:

Turn the knob to SF to freeze fresh food quickly. In this position, the freezer compartment will operate at lower temperatures. After your food freezes, turn the thermostat knob to its normal use position. If you do not change the SF position, your appliance work will automatically return to its last used thermostat position according to the time indicated in the note. Return the thermostat switch to the SF position and return it to normal use according to the time indicated in the note. If the thermostat switch is in the SF position when your appliance is first started, your appliance work will automatically return to the operation in the thermostat-3 position according to the time indicated in the note.

Note: In this appliance, super freeze mode will automatically cancel after 48 hours.

Temperature settings warnings

- Your appliance is designed to operate in the ambient temperature ranges stated in the standards, according to the climate class stated in the information label. It is not recommended that your fridge is operated in the environments which are outside of the stated temperature ranges. This will reduce the cooling efficiency of the appliance.
- Temperature adjustments should be made according to the frequency of door openings, the quantity of food kept inside the appliance and the ambient temperature in the location of your appliance.
- When the appliance is first switched on, allow it to run for 24 hours in order to reach operating temperature. During this time, do not open the door and do not keep a large quantity of food inside.
- A 5 minute delay function is applied to prevent damage to the compressor of your appliance when connecting or disconnecting to mains, or when an energy breakdown occurs. Your appliance will begin to operate normally after 5 minutes.

Climate class and meaning:

T (tropical): This refrigerating appliance is intended to be used at ambient temperatures ranging from 16 °C to 43 °C.

ST (subtropical): This refrigerating appliance is intended to be used at ambient temperatures ranging from 16 °C to 38 °C.

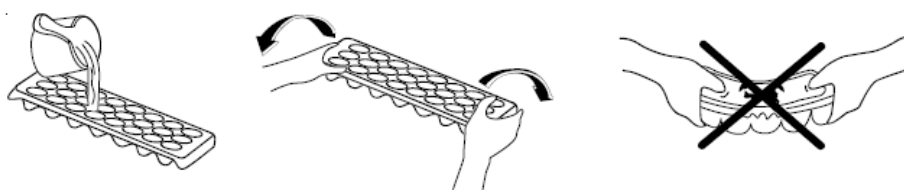
N (temperate): This refrigerating appliance is intended to be used at ambient temperatures ranging from 16 °C to 32 °C.

SN (extended temperate): This refrigerating appliance is intended to be used at ambient temperatures ranging from 10 °C to 32 °C.

Accessories

Ice tray

- Fill the ice tray with water and place in the freezer compartment.
- After the water has completely turned into ice, you can twist the tray as shown below to remove the ice cubes.



7. STORING THE FOOD

Refrigerator compartment

- To reduce humidity and avoid the consequent formation of frost, always store liquids in sealed containers in the refrigerator. Frost tends to concentrate in the coldest parts of the evaporating liquid and, in time, your appliance will require more frequent defrosting.
- Cooked dishes must remain covered when they are kept in the fridge. Do not place warm foods in fridge. Place them when they are cool, otherwise the temperature/humidity inside the fridge will increase, reducing the fridge's efficiency.
- Make sure no items are in direct contact with the rear wall of the appliance as frost will develop and packaging will stick to it. Do not open the refrigerator door frequently.
- We recommend that meat and clean fish are loosely wrapped and stored on the glass shelf just above the vegetable bin where the air is cooler, as this provides the best storage conditions.
- Store loose fruit and vegetable items in the crisper containers.
- Storing fruit and vegetables separately helps prevent ethylene-sensitive vegetables (green leaves, broccoli, carrot, etc.) being affected by ethylene-releasing fruits (banana, peach, apricot, fig etc.).
- Do not put wet vegetables into the refrigerator.
- Storage time for all food products depends on the initial quality of the food and an uninterrupted refrigeration cycle before refrigerator storage.
- Water leaking from meat may contaminate other products in the refrigerator. You should package meat products and clean any leakages on the shelves.
- Do not put food in front of the air flow passage.
- Consume packaged foods before the recommended expiry date.

Do not allow food to come into contact with the temperature sensor, which is located in the refrigerator compartment, in order to keep the refrigerator compartment at optimum temperature.

- For normal working conditions, it will be sufficient to adjust the temperature setting of your refrigerator to +4 °C.
- The temperature of the fridge compartment should be in the range of 0-8 °C, fresh foods below 0 °C are iced and rotted, bacterial load increases above 8 °C, and spoils.
- Do not put hot food in the refrigerator immediately, wait for the temperature to pass outside. Hot foods increase the degree of your refrigerator and cause food poisoning and unnecessary spoiling of the food.
- Meat, fish, etc. should be stored in the chiller compartment of the food, and the vegetable compartment is preferred for vegetables. (if available)
- To prevent cross contamination, meat products and fruit vegetables are not stored together.
- Foods should be placed in the refrigerator in closed containers or covered to prevent moisture and odors.

The table below is a quick guide to show you the most efficient way to store the major food groups in your refrigerator compartment.

Food	Maximum storing time	Where to place in the fridge compartment
Vegetables and fruits	1 week	Vegetable bin
Meat and fish	2 -3 days	Wrapped in plastic foil or bags or in a meat container (on the glass shelf)
Fresh cheese	3-4 days	In special door shelf
Butter and margarine	1 week	In special door shelf

Bottled products milk and yoghurt	Until the expiry date recommended by the producer	In special door shelf
Eggs	1 month	In the egg shelf
Cooked food	2 days	All shelves

Note: Potatoes, onions and garlic should not be stored in the refrigerator.

Freezer compartment

- The freezer is used for storing frozen food, freezing fresh food, and making ice cubes.
- Food in liquid form should be frozen in plastic cups and other food should be frozen in plastic folios or bags. For freezing fresh food; wrap and seal fresh food properly, that is the packaging should be air tight and shouldn't leak. Special freezer bags, aluminum foil polythene bags and plastic containers are ideal.
- Do not store fresh food next to frozen food as it can thaw the frozen food.
- Before freezing fresh food, divide it into portions that can be consumed in one sitting.
- Consume thawed frozen food within a short period of time after defrosting
- Always follow the manufacturer's instructions on food packaging when storing frozen food. If no information is provided food, should not be stored for more than 3 months from the date of purchase.
- When purchasing frozen food, make sure that it has been stored under appropriate conditions and that the packaging is not damaged.
- Frozen food should be transported in appropriate containers and placed in the freezer as soon as possible.
- Do not purchase frozen food if the packaging shows signs of humidity and abnormal swelling. It is probable that it has been stored at an unsuitable temperature and that the contents have deteriorated.
- The storage life of frozen food depends on the room temperature, the thermostat setting, how often the door is opened, the type of food, and the length of time required to transport the product from the shop to your home. Always follow the instructions printed on the packaging and never exceed the maximum storage life indicated.
- If the freezer door has been left open for a long time or not closed properly, frost will form and can prevent efficient air circulation. To resolve this, unplug the freezer and wait for it to defrost. Clean the freezer once it has fully defrosted.
- The freezer volume stated on the label is the volume without baskets, covers, and so on.
- Do not refreeze thawed food. It may pose a danger to your health and cause problems such as food poisoning.

Note: If you attempt to open the freezer door immediately after closing it, you will find that it will not open easily. This is normal. Once equilibrium has been reached, the door will open easily.

The table below is a quick guide to show you the most efficient way to store the major food groups in your freezer compartment.

Meat and fish	Preparation	Maximum storing time (month)
Steak	Wrapping in a foil	6-8
Lamb meat	Wrapping in a foil	6-8
Veal roast	Wrapping in a foil	6-8
Veal cubes	In small pieces	6-8
Lamb cubes	In pieces	4-8
Minced meat	In packages without using spices	1-3
GIBLETS (pieces)	In pieces	1-3
Bologna sausage/salami	Should be packaged even if it has membrane	
Chicken and turkey	Wrapping in a foil	4-6
Goose and duck	Wrapping in a foil	4-6

Deer, rabbit, wild boar	In 2.5 kg portions and as fillets	6-8
Freshwater fishes (salmon, carp)	After cleaning the bowels and scales of the fish, wash and dry it, and if necessary, cut off the tail and head	2
Lean fish: bass, turbot, flounder		4
Fatty fishes (tunny, bluefish)		2-4
Shellfish	Cleaned and in bags	4-6
Caviar	In its package, aluminum or plastic container	2-3
Snails	In salty water, aluminum or plastic container	3

Note: Frozen meat should be cooked as fresh meat after being thawed. If the meat is not cooked after being thawed, it must not be re-frozen.

Dairy products	Preparation	Maximum storing time (months)	Storing conditions
Packet (homogenize) milk	In its own packet	2-3	Pure milk – in its own packet
Cheese - excluding white cheese	In slices	6-8	Original package may be used for short storing period. It should be wrapped in foil for longer periods.
Butter, margarine	In its package	6	

Vegetables and fruits	Preparation	Maximum storing time (months)
String beans and beans	Wash and cut into small pieces and boil in water	10-13
Beans	Hull and wash and boil in water	12
Cabbage	Cleaned and boil in water	6-8
Carrot	Clean and cut to slices and boil in water	12
Pepper	Cut the stem, cut into two pieces, remove the core and boil in water	8-10
Spinach	Washed and boil in water	6-9
Cauliflower	Take the leaves apart, cut the heart into pieces, and leave it in water with a little lemon juice for a while	10-12
Eggplant	Cut to pieces of 2cm after washing	10-12
Corn	Clean and pack with its stem or as sweet corn	12
Apple and pear	Peel and slice	8-10
Apricot and peach	Cut into two pieces and remove the stone	4-6
Strawberry and blackberry	Wash and hull	8-12
Cooked fruits	Adding 10 % of sugar in the container	12
Plum, cherry, sourberry	Wash and hull the stems	8-12

	Maximum storing time (months)	Thawing time in room temperature (hours)	Thawing time in oven (minutes)
Bread	4-6	2-3	4-5 (220-225 °C)
Biscuits	3-6	1-1.5	5-8 (190-200 °C)
Pastry	1-3	2-3	5-10 (200-225 °C)

Pie	1-1.5	3-4	5-8 (190-200 °C)
Phyllo dough	2-3	1-1.5	5-8 (190-200 °C)
Pizza	2-3	2-4	15-20 (200 °C)

8. CLEANING AND MAINTENANCE

! Disconnect the unit from the power supply before cleaning.

! Do not wash your appliance by pouring water on it.

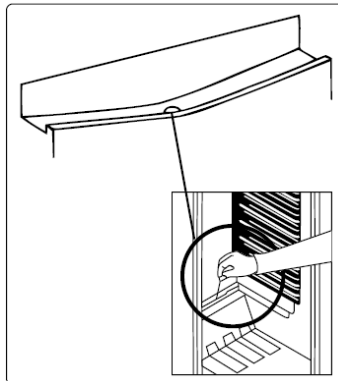
! Do not use abrasive products, detergents or soaps for cleaning the appliance. After washing, rinse with clean water and dry carefully. When you have finished cleaning, reconnect the plug to the mains supply with dry hands.

- Make sure that no water enters the lamp housing and other electrical components.
- The appliance should be cleaned regularly using a solution of bicarbonate of soda and lukewarm water.
- Clean the accessories separately by hand with soap and water. Do not wash accessories in a dish washer.
- Clean the condenser with a brush at least twice a year. This will help you to save on energy costs and increase productivity.

! The power supply must be disconnected during cleaning.

Defrosting

Defrosting the refrigerator compartment



- Defrosting occurs automatically in the refrigerator compartment during operation. The water is collected by the evaporation tray and evaporates automatically.
- The evaporation tray and the water drain hole should be cleaned periodically with the defrost drain plug to prevent the water from collecting at the bottom of the refrigerator instead of flowing out.
- You can also clean the drain hole by pouring half a glass of water down it.

Freezer defrosting process

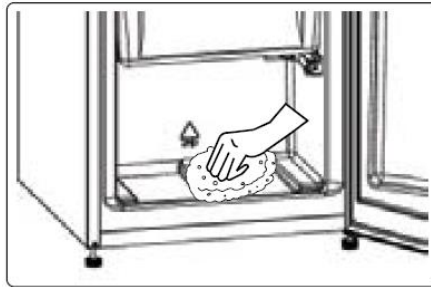
- Small amounts of frost will accumulate inside the freezer, depending on the length of time the door may be left open or the amount of moisture introduced.

It is essential to ensure that no frost or ice is allowed to form in places where it will affect the close fitting of the door seal. This might allow air to penetrate the cabinet, encouraging continuous running of the compressor. Thin frost formation is quite soft and can be removed with a brush or plastic scraper. Do not use metal or sharp scrapers, mechanical devices or other means to accelerate the defrosting process. Remove all dislodged frost from the cabinet floor. It is not necessary to switch off the appliance for the removal of thin frost.

- For the removal of heavy ice deposits, disconnect the appliance from the mains supply, empty the contents into cardboard boxes and wrap in thick blankets or layers of paper to keep cool.

Defrosting will be most effective if carried out when the freezer is nearly empty and should be carried out as quickly as possible to prevent an unnecessary increase in the temperature of the contents.

- Do not use metal or sharp scrapers, mechanical devices or other means to accelerate the defrosting process. An increase in temperature of frozen food during defrosting will shorten the storage life. Keep contents well wrapped and cool while defrosting is taking place.

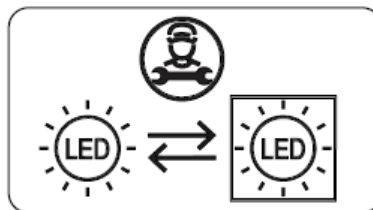


- Dry the inside of the compartment with a sponge or a clean cloth.
- To accelerate the defrosting process, place one or more bowls of warm water in the freezer compartment.
- Examine the contents when replacing them in the freezer and if some of the packages have thawed out, they should be eaten within 24 hours, or be cooked and re-frozen.
- After defrosting is complete, clean the inside of the appliance with a solution of warm water and a little bicarbonate of soda, then dry thoroughly. Wash all removable parts in the same way and reassemble. Reconnect the appliance to the mains supply and leave for 2 to 3 hours on setting number MAX before introducing the food back into the freezer.

Replacing LED lighting

To replace any of the LEDs, please contact the Authorised Service Centre.

Note: The numbers and location of the LED strips may change according to the model.



If product equipped with LED lamp

This product contains a light source of energy efficiency class <E>.

If product equipped with LED Strip(s) or LED card(s)

This product contains a light source of energy efficiency class <F>.

Transportation and changing positioning

- The original packaging and foam may be kept for re-transportation (optional).
- Fasten your appliance with thick packaging, bands or strong cords and follow the instructions for transportation on the packaging.
- Remove all movable parts or fix them into the appliance against shocks using bands when re-positioning or transporting.

! Always carry your appliance in the upright position.

Repositioning the door

- It is not possible to change the opening direction of your appliance door if door handles are installed on the front surface of the appliance door.
- It is possible to change the opening direction of the door on models with handle on the side of the door or without handles.
- If the door-opening direction of your appliance can be changed, contact the Authorised Service Centre to change the opening direction.

9. TROUBLESHOOTING

If you are experiencing a problem with your appliance, please check the following before contacting the after-sales service.

Your appliance is not operating

Check if:

- There is power
- The plug is correctly placed in the socket
- The plug fuse or the mains fuse has blown
- The socket is defective. To check this, plug another working appliance into the same socket.

The appliance performs poorly

Check if:

- The appliance is overloaded
- The appliance door is closed properly
- There is any dust on the condenser
- There is enough space near the rear and side walls.

Your appliance is operating noisily

Normal noises

Cracking noise occurs:

- During automatic defrosting
- When the appliance is cooled or warmed (due to expansion of appliance material).

Short cracking noise occurs: When the thermostat switches the compressor on/off.

Motor noise: Indicates the compressor is operating normally. The compressor may cause more noise for a short time when it is first activated.

Bubbling noise and splash occurs: Due to the flow of the refrigerant in the tubes of the system.

Water flowing noise occurs: Due to water flowing to the evaporation container. This noise is normal during defrosting.

Air blowing noise occurs: In some models during normal operation of the system due to the circulation of air.

The edges of the appliance in contact with the door joint are warm

Especially during summer (warm seasons), the surfaces in contact with the door joint may become warmer during the operation of the compressor, this is normal.

There is a build-up of humidity inside the appliance

Check if:

- All food is packed properly. Containers must be dry before being placed in the appliance.
- The appliance door is opened frequently. Humidity of the room enters the appliance when the doors are opened. Humidity increases faster when the doors are opened more frequently, especially if the humidity of the room is high.

The door does not open or close properly

Check if:

- There is food or packaging preventing the door from closing
- The door joints are broken or torn
- Your appliance is on a level surface.

The compressor can run loudly or the noise of the compressor/refrigerator may increase in some models during operating in some conditions such that the product is plugged in for the first time, depending on change in the ambient temperature or change of usage. That is normal; when the refrigerator reaches the required temperature, the noise decreases automatically.

Recommendations

- If the appliance is switched off or unplugged, wait at least 5 minutes before plugging the appliance in or restarting it in order to prevent damage to the compressor.
- If you will not use your appliance for a long time (e.g. in summer holidays) unplug it. Clean your appliance according to chapter cleaning and leave the door open to prevent humidity and smell.
- If a problem persists after you have followed all the above instructions, please consult the nearest authorised service centre.
- The appliance you have purchased is designed for domestic use only. It is not suitable for commercial or common use. If the consumer uses the appliance in a way that does not comply with this, we emphasise that the manufacturer and the dealer will not be responsible for any repair and failure within the guarantee period.

Tips for saving energy

1. Install the appliance in a cool, well-ventilated room, but not in direct sunlight and not near a heat source (such as a radiator or oven) otherwise an insulating plate should be used.
2. Allow warm food and drinks to cool before placing them inside the appliance.
3. Place thawing food in the refrigerator compartment if available. The low temperature of the frozen food will help cool the refrigerator compartment while the food is thawing. This will save energy. Frozen food left to thaw outside of the appliance will result in a waste of energy.
4. Drinks or other liquids should be covered when inside the appliance. If left uncovered, the humidity inside the appliance will increase, therefore the appliance uses more energy. Keeping drinks and other liquids covered helps preserve their smell and taste.
5. Avoid keeping the doors open for long periods and opening the doors too frequently as warm air will enter the appliance and cause the compressor to switch on unnecessarily often.
6. Keep the covers of the different temperature compartments (such as the crisper and chiller if available) closed.
7. The door gasket must be clean and pliable. In case of wear, replace the gasket.
8. It is possible to store more food by removing freezer shelf. Energy consumption is declared with maximum load and without freezer shelf.

CUSTOMER CARE AND SERVICE

Always use original spare parts.

When contacting our Authorised Service Centre, ensure that you have the following data available: Model and Serial Number.

The information can be found on the rating plate. Subject to change without notice.

TECHNICAL DATA

The technical information is situated in the rating plate on the internal side of the appliance and on the energy label.

The QR code on the energy label supplied with the appliance provides a web link to the information related to the performance of the appliance in the EU EPREL database.

Keep the energy label for reference together with the user manual and all other documents provided with this appliance.

It is also possible to find the same information in EPREL using the link <https://eprel.ec.europa.eu> and the model name and product number that you find on the rating plate of the appliance.

To access information about your product in the EPREL portal, you can scan the codes below:



Thank you for purchasing this product. If you need support with your product, visit our website using the links below.

Get User manuals: www.framelectrocasnice.ro

Get Service information: www.framelectrocasnice.ro

Environment friendly disposal

You can help protect the environment!

Please remember to respect the local regulations: hand in the non-working electrical equipment's to an appropriate waste disposal center.



FRAM is a registered trademark of **Network One Distribution SRL**. Other brands and product names are trademarks or registered trademarks of their respective holders.

No part of the specifications may be reproduced in any form or by any means or used to make any derivative such as translation, transformation, or adaptation without permission from NETWORK ONE DISTRIBUTION.

Copyright © 2013 Network One Distribution. All rights reserved.

www.framelectrocasnice.ro; www.framappliances.com; www.nod.ro



This product is in conformity with norms and standards of European Community.



Importer: Network One Distribution

Marcel Iancu, 3-5, Bucharest, Romania

Tel: +40 21 211 18 56, www.framelectrocasnice.ro, www.nod.ro

Fram



Frigider cu două uși

FDD-VRR311BDE++/FDD-VRR311BGE++

FDD-VRR311BLE++/FDD-VRR311YLE++

Capacitate totală: 311L
Clasa energetică: E



Vă mulțumim pentru achiziționarea acestui produs **FRAM!**

1. INTRODUCERE

Înainte de a utiliza acest aparat, citiți cu atenție manualul de instrucțiuni și păstrați-l pentru consultări ulterioare.

Acest manual este conceput pentru a vă oferi toate instrucțiunile necesare referitoare la instalarea, utilizarea și întreținerea aparatului.

Pentru utilizarea corectă și în siguranță a aparatului, vă rugăm să citiți cu atenție acest manual de instrucțiuni, înainte de instalare și utilizare.

2. CONȚINUTUL PACHETULUI DUMNEAVOASTRĂ

- Frigider cu două uși
- Manual de instrucțiuni
- Certificat de garanție

3. AVERTISMENTE PRIVIND SIGURANȚA

Avertizări generale

AVERTIZARE: Mențineți fantele de ventilație ale aparatului libere de obstacole.

AVERTIZARE: Nu utilizați dispozitive mecanice sau alte mijloace pentru a accelera procesul de dezghețare, cu excepția celor recomandate de către producător.

AVERTIZARE: Nu utilizați aparate electrice în interiorul compartimentelor de depozitare a alimentelor, exceptând cazul în care acestea sunt de tipul celor recomandate de către producător.

AVERTIZARE: Nu deteriorați circuitul agentului frigorific.

AVERTIZARE: Pentru a evita riscurile ce survin în urma instabilității aparatului, acesta trebuie fixat conform instrucțiunilor următoare:

AVERTIZARE: Când poziționați aparatul, verificați cablul de alimentare să nu fie comprimat sau deteriorat.

AVERTIZARE: Nu plasați prize portabile multiple sau surse de alimentare portabile la partea din spate a aparatului.



Symbol ISO 7010 W021

AVERTIZARE: Risc de incendiu / materiale inflamabile

• Dacă aparatul dumneavoastră utilizează agentul frigorific R600a (această informație se află pe eticheta frigiderului) trebuie să aveți grijă în timpul transportului și al instalării pentru a împiedica deteriorarea elementelor de răcire ai aparatului. Aceasta chiar dacă R600a este un gaz natural, care nu afectează mediul înconjurător. În cazul unei scurgeri provocate de deteriorarea elementelor de răcire, mutați frigiderul la distanță de flăcări deschise sau de surse de căldură și aerisiți câteva minute încăperea în care se află aparatul.

- Nu deteriorați circuitul gazului de răcire în timpul transportului și poziționării frigiderului.
- Nu depozitați în aparat substanțe explozive precum doze de aerosoli cu gaz propulsor inflamabil.
- Acest aparat este destinat a fi utilizat în gospodărie și în aplicații similare, precum:
 - bucătării ale personalului din magazine, birouri sau alte medii de lucru.
 - ferme, precum și de către clienții hotelurilor, motelurilor și ai altor medii de tip rezidențial.
 - medii de tip pensiune cu mic dejun inclus;
 - catering și aplicații non-retail similare.

- Dacă ștecherul frigiderului nu se potrivește cu priza, el trebuie înlocuit de către producător, de agentul său de service sau de persoane cu o calificare similară, pentru a evita pericolele.
- Cablul de alimentare al frigiderului este echipat cu un ștecher special cu împământare. Acest ștecher trebuie utilizat cu o priză specială cu împământare, de 16 amperi. Dacă nu aveți o astfel de priză în locuința dumneavoastră, apălați la un electrician autorizat pentru a o instala.
- Acest produs poate fi utilizat de către copii cu vârsta minimă de 8 ani și de persoanele cu capacități fizice, senzoriale sau mentale reduse sau lipsă de experiență și cunoștințe, dacă aceștia au fost supravegheați sau instruiți cu privire la utilizarea produsului într-un mod sigur și că înțeleg pericolele implicate. Copiii nu trebuie să se joace cu produsul. Operațiunile de curățare și întreținere nu trebuie să fie efectuate de către copii fără supraveghere.
- Copiilor cu vârste cuprinse între 3 și 8 ani le este permis să introducă și să scoată alimente din aparatele frigorifice. Copiilor foarte mici (0-3 ani) nu le este permis să folosească aparatul cu excepția cazului în care se asigură supravegherea continuă a acestora. Copiii mai mari (8-14 ani) și persoanele vulnerabile pot folosi aparatele în condiții de siguranță, după ce li s-a acordat supravegherea sau instrucțiunile corespunzătoare privind utilizarea aparatului.
- În cazul în care cablul de alimentare este deteriorat, acesta trebuie înlocuit de către producător, agentul său de service sau persoane cu o calificare similară, pentru a evita pericolele.
- Acest produs nu este destinat a fi utilizat la altitudini de peste 2000 de metri.

Note:

- Înainte de instalarea și utilizarea aparatului, vă rugăm să citiți cu atenție manualul de instrucțiuni. **Nu suntem responsabili pentru deteriorarea cauzată de utilizarea necorespunzătoare.**
- Respectați toate instrucțiunile de pe aparat și din manualul de instrucțiuni și păstrați acest manual la loc sigur, pentru a remedia problemele care ar putea interveni în viitor.
- Acest aparat este destinat uzului casnic și trebuie utilizat numai în scopurile specificate. Nu este destinat pentru uz comercial sau uz comun. O astfel de utilizare va duce la anularea garanției aparatului, iar compania noastră nu va fi responsabilă pentru pierderile care vor apărea.
- Acest aparat este produs pentru utilizarea casnică și este potrivit numai pentru răcirea/depozitarea alimentelor. Nu este potrivit utilizării comerciale sau în comun și/sau pentru depozitarea substanțelor nealimentare. Compania noastră nu este responsabilă pentru pierderile care vor apărea în caz contrar.

Avertizări privind siguranța:

- Nu conectați aparatul frigorific la rețeaua de electricitate cu ajutorul unui prelungitor.
- Nu conectați la prize defecte, fisurate sau vechi.
- Nu trageți, îndoțiți sau deteriorați cablul.
- Acest aparat este proiectat pentru a fi utilizat de către adulți; nu permiteți copiilor să se joace cu acest aparat sau să se lase pe ușă.
- Nu atingeți niciodată cablul de alimentare/fișa cu mâinile ude, deoarece aceasta ar putea provoca un scurtcircuit sau un șoc electric.
- Nu introduceți sticle sau doze cu băuturi în compartimentul de producere a gheții, deoarece ar putea exploda în urma congelării conținutului.
- Nu amplasați materiale explozive sau inflamabile în frigider. Amplasați băuturile cu conținut ridicat de alcool în poziție verticală și asigurați-vă că recipientele sunt închise etanș.
- Atunci când scoateți gheața din compartimentul de producere a gheții, nu o atingeți. Gheața poate provoca degerături și/sau poate tăia.
- Nu atingeți produsele congelate cu mâinile ude! Nu mâncați înghețata și cuburile de gheață imediat după ce le-ați scos din compartimentul de produs gheață!
- Nu recongelați alimentele după ce acestea s-au topit. Acest lucru ar putea cauza probleme de sănătate, cum ar fi toxinfecțiile alimentare.

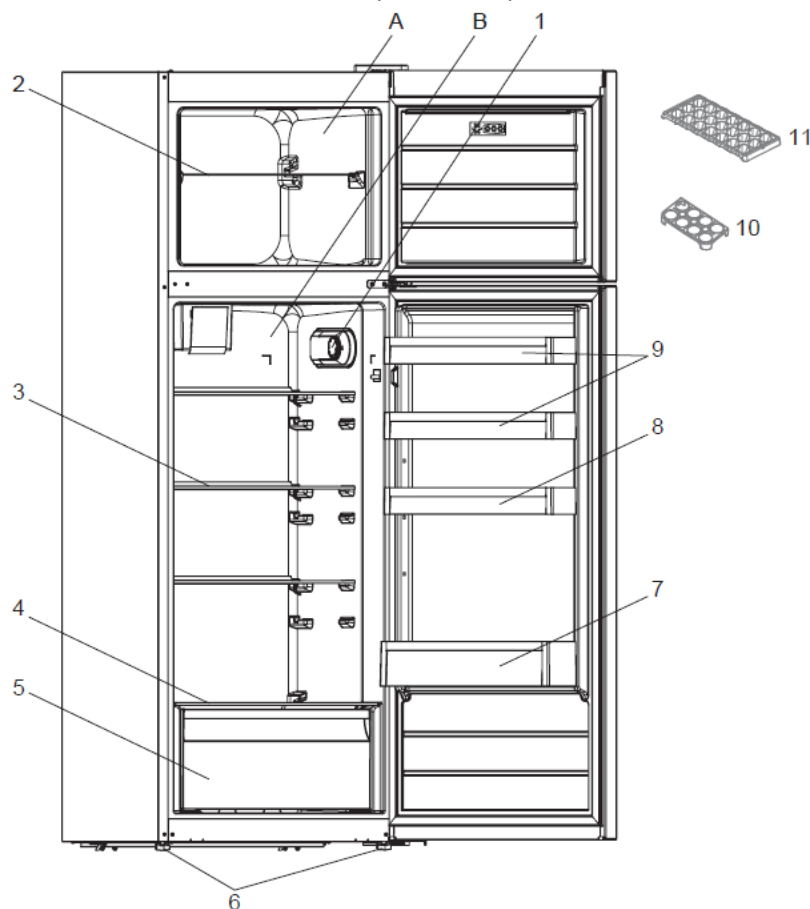
- Nu acoperiți corpul sau partea de sus a frigiderului cu dantelă. Aceasta influențează performanța frigiderului dumneavoastră.
- Fixați accesoriile în frigider în timpul transportului, pentru a preveni deteriorarea acestora.
- Nu utilizați adaptoare de priză.

Pentru a evita contaminarea alimentelor, respectați instrucțiunile de mai jos:

- Dacă ușa aparatului este lăsată deschisă pe perioade lungi, temperatura din compartimentele aparatului crește semnificativ.
- Curățați periodic suprafețele care pot intra în contact cu alimentele, precum și sistemele de scurgere ale aparatului.
- Păstrați carnea crudă și peștele proaspăt în recipiente corespunzătoare, astfel încât produsele să nu intre în contact cu alte alimente.
- Compartimentele de congelare cu două stele sunt potrivite pentru păstrarea alimentelor precongolate, păstrarea sau prepararea înghețatei și producerea cuburilor de gheață.
- Compartimentele cu una, două și trei stele nu sunt potrivite pentru congelarea alimentelor proaspete.
- Dacă aparatul frigorific este lăsat gol pe perioade lungi, opriți-l, decongelați-l, curățați-l, ștergeți-l bine și lăsați-i ușa deschisă, pentru a preveni formarea mușgaiului în interiorul acestuia.

4. DESCRIEREA PRODUSULUI

Acest aparat frigorific nu este destinat utilizării ca aparat încorporat.



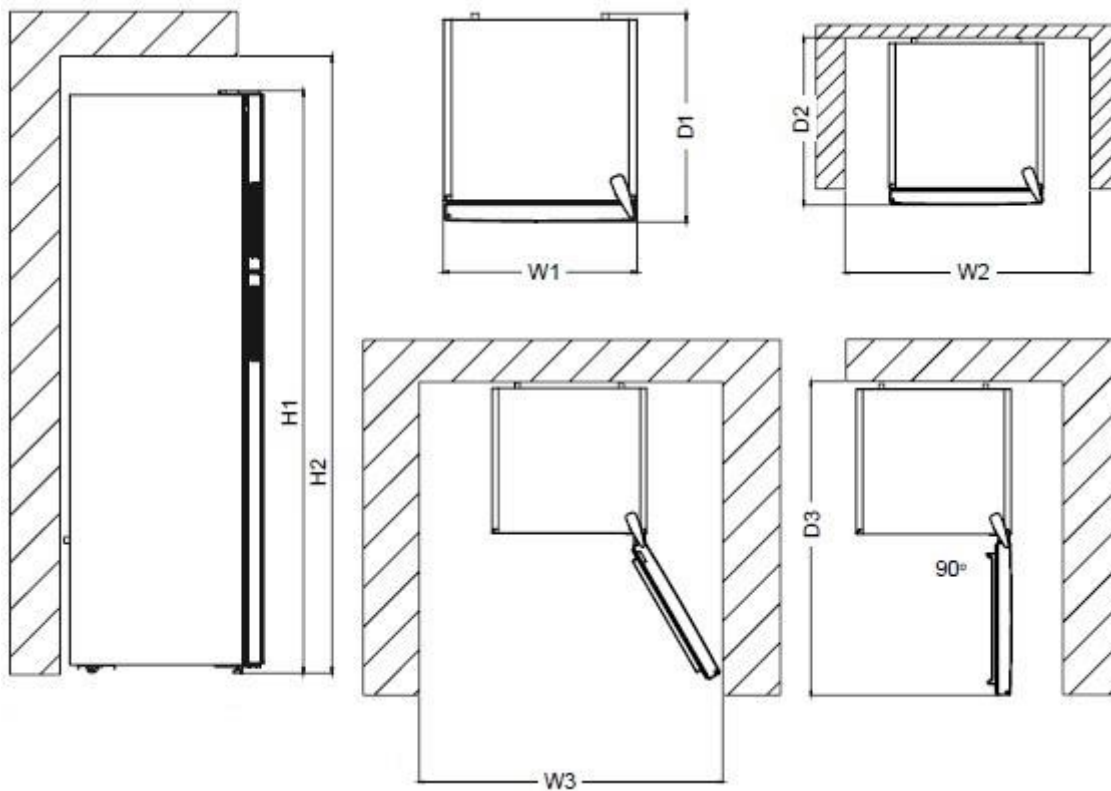
Această figură are rol informativ, ilustrând piesele și accesoriile aparatului. Piesele pot varia în funcție de modelul aparatului.

A	Compartimentul congelator	6	Picioară de reglare
B	Compartimentul frigider	7	Raft pentru sticle
1	Termostat	8	Rafturi ușă
2	Raftul compartimentului congelatorului	9	Rafturi ușă
3	Rafturile compartimentului frigiderului	10	Suport pentru ouă
4	Capacul cutiei pentru fructe și legume	11	Tavă pentru gheață
5	Cutie pentru fructe și legume		

Compartiment frigider: Utilizarea cea mai eficientă a energiei este asigurată pastrand configurația rafturilor și sertarelor ca în ilustrația de mai sus: sertarele în partea de jos a frigiderului, rafturile distribuite uniform. Poziția rafturilor de pe ușă nu afectează consumul de energie.

Compartiment congelator: Utilizarea cea mai eficientă a energiei este asigurată în configurația cu sertarele amplasate ca în ilustrația de mai sus.

Dimensiuni



Dimensiuni totale

H1	mm	1794
W1	mm	605
D1	mm	636

Spațiu necesar în utilizare

H2	mm	1944
W2	mm	705
D2	mm	733,5

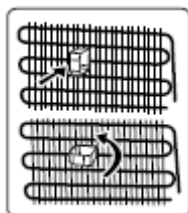
Spațiu total necesar pentru utilizare

W3	mm	931,5
D3	mm	1121,5

5. INSTALAREA ȘI FUNCȚIONAREA APARATULUI FRIGORIFIC

Înainte de a începe să utilizați congelatorul, acordați atenție următoarelor puncte:

- Tensiunea de funcționare a congelatorului este de 220-240 V la 50 Hz.
- Stecherul trebuie să fie accesibil după instalare.
- Înainte de a conecta frigiderul, asigurați-vă că informațiile de pe plăcuța de date (tensiune și sarcină) corespund cu cele ale sursei de energie electrică. Dacă aveți dubii, consultați un electrician calificat.
- Introduceți ștecărul într-o priză cu împământare. În cazul în care nu aveți o priză cu împământare sau priză nu se potrivește, vă recomandăm să consultați un electrician calificat pentru asistență.
- Nu ne asumăm răspunderea pentru daunele survenite din cauza utilizării fără împământare.
- Așezați frigiderul într-un loc ferit de razele soarelui.
- Aparatul dumneavoastră ar trebui să se afle la cel puțin 50 cm distanță de plite, cuptoare cu gaz și de radiatoare și ar trebui să se afle la cel puțin 5 cm distanță față de cuptoarele electrice.
- Aparatul dumneavoastră nu trebuie utilizat niciodată în aer liber sau lăsat în ploaie.
- În momentul în care aparatul frigorific este plasat lângă un alt aparat, ar trebui să existe o distanță de cel puțin 2 cm între acestea, pentru a preveni umezirea suprafeței exterioare.
- Nu așezați obiecte grele pe aparat.
- Nu așezați obiecte pe congelator și instalați frigiderul într-un loc potrivit, astfel încât să existe cel puțin 15 cm liberi în partea de sus.
- Picioarele frontale ajustabile ar trebui ajustate în așa fel încât să vă asigurați că aparatul dumneavoastră este stabil și la nivel. Dumneavoastră puteți regla picioarele rotindu-le în orice direcție. Această operațiune ar trebui efectuată înainte de a amplasa alimente în frigider.
- Înainte de a utiliza congelatorul, ștergeți toate componentele cu apă caldă, în care ați dizolvat o lingură de bicarbonat de sodiu, după care clătiți cu apă curată și uscați. După curățare, montați toate componentele în frigider.
- Instalați ghidul de distanță din plastic (partea cu palete negre în partea din spate) întorcându-l la 90° (după cum este ilustrat în figură), pentru a preveni condensarea prin atingerea de perete.



- Frigiderul trebuie amplasat lângă un perete, la o distanță care să nu depășească 75 mm.
- Este necesar un spațiu liber de minimum 100 mm deasupra aparatului. Nu așezați nimic pe aparat.

Înainte de utilizarea aparatului frigorific

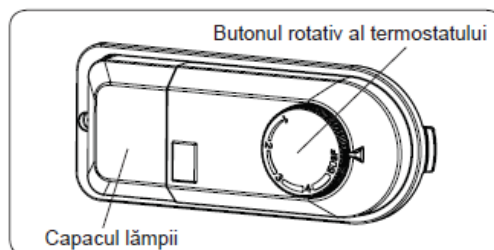
- La prima utilizare a congelatorului sau după transport, lăsați-l în poziție verticală timp de minimum 3 ore, înainte de a-l conecta la priză. Aceasta va permite funcționarea eficientă și va împiedica defectarea compresorului.
- Atunci când este pus în funcțiune pentru prima dată, congelatorul poate prezenta un miros. Acest lucru este normal, iar mirosul se va atenua odată cu răcirea congelatorului.

Informații despre tehnologia cu mai puțin îngheț (Less Frost)

Datorită vaporizatorului integral, tehnologia Less Frost oferă răcire mai eficientă, mai puțină nevoie de decongelare manuală și o cameră de depozitare mai flexibilă.

6. UTILIZAREA APARATULUI FRIGORIFIC

Configurarea termostatului



Termostatul reglează automat temperatura interioară a compartimentelor de refrigerare și congelare. Temperaturile din frigider pot fi obținute rotind butonul la numere mai mari, de la 1 la 5 sau SF.

1 – 2: Pentru depozitarea pe termen lung a alimentelor

3 – 4: Pentru depozitarea pe termen lung a alimentelor

5: Poziție de răcire maximă. Aparatul va funcționa mai mult timp, dacă este necesar, schimbați setarea de temperatură.

Dacă dispozitivul este în poziția SF:

Rotiți butonul la poziția SF pentru a congela rapid alimente proaspete. În această poziție compartimentul congelator va funcționa la temperaturi mai scăzute. După ce alimentele s-au congelat, rotiți butonul termostatului la poziția normală de utilizare. Dacă nu modificați poziția SF, aparatul va reveni automat la ultima poziție de termostat utilizată, conform cu timpul indicat în notă. Reduceți comutatorul termostatului în poziția SF și repuneți-l în funcțiune normală, conform timpului indicat în notă. Dacă comutatorul termostatului este în poziția SF atunci când aparatul este pornit pentru prima dată, aparatul va reveni automat la operarea în poziția termostat-3, conform timpului indicat în notă.

Notă: La acest aparat, modul super congelare va fi anulat automat după 48 de ore.

Avertizări setări de temperatură

- Aparatul dumneavoastră este proiectat pentru a funcționa în intervalele de temperatură ambientală menționate în standarde, potrivit clasei de climă menționate pe eticheta cu informații. În ceea ce privește eficiența de răcire a frigiderului, nu este recomandată utilizarea acestuia în medii care depășesc intervalele prezentate de temperatură. Aceasta va reduce eficiența aparatului în procesul de răcire.
- Temperatura trebuie reglată în funcție de frecvența de deschidere a ușii, de cantitatea de alimente din aparat și de temperatura ambientală din locul în care se află aparatul.
- Atunci când aparatul este pornit pentru prima oară, lăsați-l să funcționeze 24 de ore, pentru a atinge temperatura de funcționare. În acest timp, nu deschideți ușa prea des și nici nu așezați o cantitate mare de alimente în interiorul aparatului.
- Pentru a preveni deteriorarea compresorului aparatului dvs. la conectarea acestuia la rețea sau la deconectarea de la aceasta sau în cazul unei pene de curent, aparatul este prevăzut cu o funcție de decalare de 5 minute. Aparatul va începe să funcționeze normal după 5 minute.

Semnificatie clase climatice:

- temperată extinsă: acest aparat frigorific este destinat a fi utilizat la temperaturi ambiante cuprinse între 10 °C și 32 °C (SN);
- temperată: acest aparat frigorific este destinat a fi utilizat la temperaturi ambiante cuprinse între 16°C și 32°C (N);
- subtropicală: acest aparat frigorific este destinat a fi utilizat la temperaturi ambiante cuprinse între 16°C și 38°C (ST);
- tropicală: acest aparat frigorific este destinat a fi utilizat la temperaturi ambiante cuprinse între 16 °C și 43°C (T);

Accesorii

Producerea cuburilor de gheață (tava pentru gheață)

- Umpleți tava cu apă și așezați-o în compartimentul de congelare.
- După ce apa s-a transformat în întregime în gheață, puteți răsuci tava, așa cum se arată mai jos, pentru a scoate cuburile de gheață.



7. DEPOZITAREA ALIMENTELOR

Compartimentul frigider

- Pentru a reduce umiditatea și a evita formarea gheții, nu trebuie să așezați niciodată în frigider lichide în recipiente neînchise etanș. Înghețul are tendința de a se concentra în cele mai reci părți ale lichidului evaporat și, cu timpul, va necesita o decongelare mai frecventă.
- Alimentele gătite trebuie să rămână acoperite când sunt păstrate în frigider. Nu puneți alimente calde în frigider. Puneți-le atunci când sunt reci, în caz contrar temperatura/umiditatea din interiorul frigiderului vor crește, reducând eficiența frigiderului.
- Asigurați-vă că niciun element nu vine în contact cu peretele anterior al aparatului, întrucât se va forma gheață iar ambalajul se va lipi de aceasta. Nu deschideți ușa frigiderului prea frecvent.
- Vă recomandăm să împachetați mai lejer carnea și peștele și să le depozitați pe raftul din sticlă, chiar deasupra cutiei pentru legume, unde aerul este mai rece, întrucât aceasta oferă cele mai bune condiții de depozitare.
- Depozitați fructele și legumele în mod liber, în compartimentele din cutia ce le este destinată.
- Păstrarea separată a fructelor și legumelor protejează legumele sensibile la etilen (verdețuri, broccoli, morcovi etc.) de fructele care emit etilen (banane, piersici, caise, smochine etc.).
- Nu amplasați legume ude în frigider.
- Durata de depozitare a tuturor alimentelor depinde de calitatea inițială a acestora și de refrigerarea neîntreruptă înainte de depozitarea în frigider.
- Scurgerea apei din carne poate contamina alte produse din frigider. Ambalați produsele din carne și curățați scurgerile de pe rafturi.
- Nu amplasați alimente în dreptul jetului de aer.
- Consumați alimentele ambalate înainte de data de expirare recomandată.

Nu lăsați alimentele să vină în contact cu senzorul de temperatură, care se află în compartimentul frigider, pentru a păstra temperatura optimă în compartimentul frigider.

- Pentru condiții normale de funcționare este suficient să reglați temperatura frigiderului la +4 °C.
- Temperatura compartimentului frigider trebuie să fie în intervalul 0-8 °C; alimentele proaspete sub 0 °C îngheață și se alterează, iar peste 8 °C contaminarea bacteriană crește și alimentele se alterează.
- Nu introduceți alimente fierbinți în frigider, așteptați să se răcească la temperatura ambiantă. Alimentele fierbinți măresc temperatura în frigider și cauzează toxiiinfecții alimentare și alterarea inutilă a alimentelor.
- Carnea, peștele, etc. trebuie depozitate în compartimentul răcitor pentru alimente, iar compartimentul de legume este de preferat pentru legume (dacă este disponibil).
- Pentru a preveni contaminarea încrucișată, produsele din carne nu trebuie depozitate împreună cu fructele și legumele.
- Alimentele trebuie introduse în frigider în recipiente închise sau acoperite pentru a preveni umezeala și mirosurile.

Tabelul de mai jos este un ghid rapid care vă indică cel mai eficient mod de depozitare a grupelor majore de alimente în compartimentul frigiderului dvs.

Aliment	Durată de depozitare maximă	Amplasare în compartimentul frigiderului
Legume și fructe	1 saptamana	Cutia pentru legume
Carne și pește	2 -3 zile	Înfășurate în folie, în pungi de plastic sau în cutii pentru carne (pe raftul de sticlă)
Brânză proaspătă	3-4 zile	Pe raftul special de pe ușă
Unt și margarină	1 saptamana	Pe raftul special de pe ușă
Produce îmbuteliate, lapte și iaurt	Până la data de expirare specificată de producător	Pe raftul special de pe ușă
Ouă	1 luna	Pe suportul pentru ouă
Alimente gătite		Pe orice raft

Notă: Cartofii, ceapa și usturoiul nu se depozitează în frigider.

Compartimentul congelator

- Congelatorul este folosit pentru depozitarea alimentelor congelate, congelarea alimentelor proaspete și producerea cuburilor de gheață.
- Alimentele sub formă lichidă trebuie congelate în vase de plastic, celelalte alimente trebuie congelate în folii sau pungi de plastic. Pentru a congela alimente proaspete împachetați și sigilați corect alimentele proaspete, astfel încât ambalajul să fie etanș și să nu existe scurgeri. Ideal este să utilizați pungile speciale pentru congelator, folia de aluminiu, pungi din polietilenă și recipiente din plastic.
- Nu depozitați alimente proaspete împreună cu alimente congelate deoarece acestea pot decongela alimentele congelate.
- Înainte de a congela alimente proaspete, împărțiți-le în porții care pot fi consumate la o singură masă.
- Consumați alimentele dezghețate după ce au fost congelate într-un interval scurt de timp după decongelare.
- Respectați întotdeauna instrucțiunile producătorului de pe ambalajul alimentelor atunci când depozitați alimente congelate. Dacă nu se oferă informații alimentele nu trebuie depozitate pe o perioadă mai lungă de 3 luni de la data achiziționării.
- Când cumpărați alimente congelate, asigurați-vă că au fost depozitate în condiții adecvate și că ambalajul nu este deteriorat.
- Alimentele congelate trebuie transportate în recipiente adecvate și amplasate în congelator cât mai curând posibil.
- Nu cumpărați alimente congelate dacă ambalajul arată semne de umiditate și umflare anormală. Este probabil să fi fost depozitate la o temperatură inadecvată iar conținutul să se fi deteriorat.
- Perioada de depozitare a alimentelor congelate depinde de temperatura camerei, setarea termostatului, frecvența de deschidere a ușii, tipul de alimente și perioada de timp necesară pentru transportul produsului de la magazin la locuința dumneavoastră. Respectați întotdeauna instrucțiunile de pe pachet și nu depășiți niciodată durata maximă de depozitare specificată.
- Dacă ușa congelatorului a fost lăsată deschisă pentru mult timp sau nu a fost închisă corect, se va forma gheață și aceasta poate împiedica circulația eficientă a aerului. Pentru a rezolva, scoateți congelatorul din priză și așteptați să se dezghețe. Curățați congelatorul după ce s-a dezghețat complet.
- Volumul specificat pe etichetă al congelatorului este volumul fără coșuri, capace și așa mai departe.
- Nu recongelați alimentele dezghețate. Acest lucru poate fi periculos pentru sănătate, cu riscul de toxiinfecție alimentară.

Notă: Dacă încercați să deschideți ușa congelatorului imediat după ce ați închis-o, veți constata că nu se va deschide ușor.

Acest lucru este normal. Odată restabilit echilibrul, ușa se va deschide ușor.

Tabelul de mai jos este un ghid rapid care vă indică cel mai eficient mod de depozitare a grupelor majore de alimente în compartimentul congelatorului dvs

Carne și pește	Pregătire	Durăță de depozitare maximă (luni)
Cotlet	In folie	6-8
Carne de miel	In folie	6-8
Friptura de vitel	In folie	6-8
Cubulete de vitel	Bucatele mici	6-8
Cubulete de miel	Bucati	4-8
Carne tocata	In pachete fara condimente	1-3
Maruntaie (bucati)	Bucati	1-3
Salam	Ambalat chiar si cu membrana	
Pui si curcan	In folie	4-6
Gsca si rata	In folie	4-6
Caprioara, iupure, mistret	In portii de 2.5 kg sau file	6-8
Peste de apa dulce (somon, crap)	După curățarea măruntaielor și a solzilor peștelui, spălați-l și uscați-l; dacă este cazul, tăiați-i coada și capul.	2
Peste slab (biban, calcan)		4
Peste gras (ton, macrou)		2-4
Scoici	Curățate și în pungi	4-6
Caviar	În ambalajul său, recipient din aluminiu sau din plastic	2-3
Melci	În apă sărată, recipient din aluminiu sau din plastic	3

Notă: Carnea congelată trebuie gătită ca și carnea proaspătă după dezghețare. În cazul în care carnea nu este gătită după decongelare, nu trebuie recongelată.

Produse lactate	Pregătire	Durăță maximă de depozitare (luni)	Condiții de depozitare
Lapte ambalat (omogenizat)	În ambalajul propriu	2-3	Lapte integral - în ambalajul propriu
Brânză-cu excepția brânzeturilor albe	Felii	6-8	Pentru perioade scurte de depozitare, se poate folosi ambalajul original. Pentru perioade mai lungi, se înfășoară în folie.
Unt, margarină	În ambalajul propriu	6	

Legume si fructe	Pregătire	Durăță maximă de depozitare (luni)
Fasole verde si fasole boabe	Se spală, se taie bucățele și se fierbe în apă	10-13
Pastai	Se desfac, se spală și se fierb în apă	12
Varza	Se curăță și se fierbe în apă	6-8
Morcov	Se curăță, se taie felii și se fierbe în apă	12
Ardei	Se taie codița, se taie în două, se scoate miezul și se fierbe în apă	8-10

Spanac	Se spală și se fierbe în apă	6-9
Conopida	Se scot frunzele, se taie miezul bucăți și se lasă un timp în apă cu puțin suc de lămâie	10-12
Vanata	Se spală și se taie în bucăți de 2cm	10-12
Porumb	Spălați-l și ambalați-l cu cocean sau boabe	12
Mere si pere	Se decojesc și se feliază	8-10
Caise si piersici	Se taie în două și se scoate sâmburele	4-6
Capsuni si mure	Se spală și se scot codițele	8-12
Fructe gatite	Se adaugă 10% zahăr în recipient	12
Prune, cirese, visine	Se spală și se scot codițele	8-12

	Durăță maximă de depozitare (luni)	Durăță de decongelare la temperatura camerei (ore)	Durăță de decongelare în cuptor (min.)
Paine	4-6	2-3	4-5 (220-225 °C)
Biscuiti	3-6	1-1.5	5-8 (190-200 °C)
Produse de patiserie	1-3	2-3	5-10 (200-225 °C)
Placinta	1-1.5	3-4	5-8 (190-200 °C)
Foietaje	2-3	1-1.5	5-8 (190-200 °C)
Pizza	2-3	2-4	15-20 (200 °C)

8. CURATARE SI INTRETINERE

! Deconectați unitatea de la sursa de alimentare, înainte de curățare.

! Nu spălați aparatul turnând apă pe el.

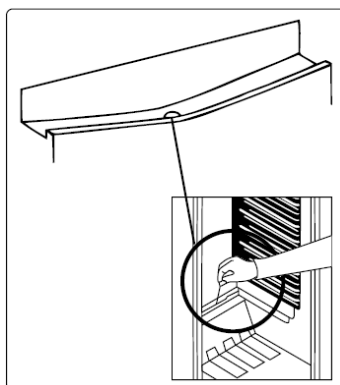
! Nu utilizați produse, detergenți sau săpunuri abrazive pentru a curăța aparatul. După spălare, clătiți cu apă și uscați cu grijă. După terminarea curățării, reconectați ștecherul la rețea cu mâinile uscate.

- Asigurați-vă că apa nu intră în compartimentul cu bec al frigiderului sau în alte elemente electrice.
- Aparatul trebuie curățat periodic utilizând o soluție de bicarbonat de sodiu și apă caldă.
- Curățați accesoriile separat, manual, cu apă și săpun. Nu spălați accesoriile într-o mașină de spălat vase.
- Curățați condensatorul cu o perie de cel puțin două ori pe an. Aceasta va ajuta la economisirea costurilor cu energia și la creșterea productivității.

! Alimentarea cu energie trebuie întreruptă pe durata curățării.

Dezghețarea

Dezghețarea compartimentului frigider

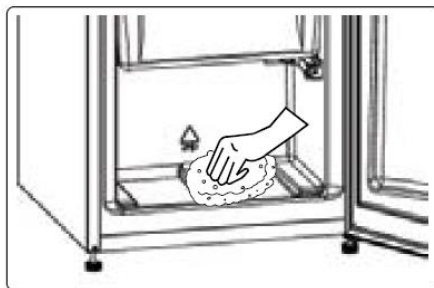


- Dezghețarea are loc automat în compartimentul frigiderului, în timpul funcționării. Apa este colectată de tava de evaporare și se evaporă automat.

- Tava de evaporare și orificiul de evacuare a apei trebuie curățate periodic cu tubul de drenare pentru apa provenită de la dezghețare, pentru a preveni acumularea apei în partea de jos a frigiderului, în loc să curgă afară.
- Puteți curăța orificiul de evacuare și turnând o jumătate de pahar cu apă în acesta.

Procesul de decongelare a congelatorului

- Cantități mici de gheață se vor acumula în interiorul congelatorului, în funcție de perioada de timp în care ușa este lăsată deschisă sau de cantitatea de umezeală introdusă. Este esențial să vă asigurați că nu este permisă formarea de gheață în locuri unde acest lucru va afecta fixarea corectă a garniturii ușii. Acest lucru ar putea permite aerului să penetreze dulapul, încurajând funcționarea continuă a compresorului. Formații de gheață subțire sunt foarte moi și pot fi eliminate utilizând o perie sau o racletă din plastic. Nu utilizați raclete mecanice sau tăioase, dispozitive mecanice sau alte mijloace pentru a accelera procesul de decongelare. Eliminați toată chiciura deblocată de pe suprafața dulapului. Pentru eliminarea stratului subțire de gheață, nu este necesar să opriți aparatul.
- Pentru eliminarea depunerilor groase de gheață, deconectați aparatul de la priză, goliți conținutul în cutii de carton și înfășurați-l în păături groase sau în straturi de hârtie, pentru a-l menține rece. Decongelarea va fi mai eficientă dacă este efectuată atunci când congelatorul este aproape gol și cât mai repede cu putință, pentru prevenirea unei creșteri inutile a temperaturii conținutului.
- Nu utilizați raclete mecanice sau tăioase, dispozitive mecanice sau alte mijloace pentru a accelera procesul de decongelare. O creștere a temperaturii alimentelor congelate în timpul decongelării va scurta perioada de depozitare. Mențineți conținutul bine împachetat și rece, cât timp are loc decongelarea.

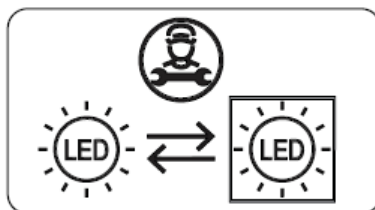


- Uscați interiorul compartimentului cu un burete sau cu o lavetă curată.
- Pentru a accelera procesul de decongelare, așezați unul sau mai multe vase cu apă caldă în compartimentul congelator.
- Examinați conținutul în momentul când îl puneți la loc în congelator, iar dacă unele pachete s-au dezghețat, acestea trebuie consumate în decurs de 24 de ore sau gătite și recongelate.
- După ce decongelarea s-a finalizat, curățați interiorul aparatului cu o soluție de apă caldă și puțin bicarbonat de sodiu, iar apoi uscați-l foarte bine. Spălați toate componentele detașabile în același mod și reasamblați-le. Înainte de introducerea alimentelor înapoi în congelator, reconectați aparatul la priză și lăsați-l timp de 2-3 ore la setarea MAX.

Înlocuirea lămpilor de tip LED

Pentru a înlocui oricare dintre LED-uri, contactați Centrul autorizat de service.

Notă: Numărul și amplasarea benzilor LED pot fi diferite în funcție de model.



Dacă produsul este echipat cu lampă LED

Acest produs conține o sursă de lumină de clasă de eficiență energetică <E>.

Dacă produsul este echipat cu benzi LED sau carduri LED

Acest produs conține o sursă de lumină de clasă de eficiență energetică <F>.

Transportul și schimbarea poziționării

- Puteți păstra ambalajul și spuma originale pentru a transporta ulterior aparatul (opțional).
 - Protejați frigiderul cu un ambalaj gros legat cu benzi sau corzi rezistente și urmați instrucțiunile privind transportul de pe ambalaj.
 - Demontați toate piesele mobile sau fixați-le în aparat pentru a le proteja de șocuri, folosind benzi, atunci când le re poziționați sau în timpul transportului.
- ! Transportați întotdeauna aparatul în poziție verticală.

Repoziționarea ușii

- Nu este posibil să schimbați direcția de deschidere a ușii frigiderului dumneavoastră dacă mânerul ușii frigiderului este instalat pe partea frontală a ușii.
- Este posibil să schimbați direcția de deschidere a ușilor la modelele fără mâner.
- Dacă direcția de deschidere a ușii frigiderului poate fi schimbată, contactați cel mai apropiat Centru de service autorizat pentru a schimba direcția de deschidere a ușii.

9. DEPANARE

Dacă întâmpinați probleme cu aparatul, verificați următoarele, înainte de a contacta serviciul post-vânzare.

Aparatul dvs. nu funcționează

Verificați dacă:

- Există alimentare cu energie
- Ștecherul este conectat corect la priză
- Siguranța ștecherului sau siguranța prizei este arsă
- Priza este defectă. Pentru a verifica, conectați alt aparat funcțional în aceeași priză.

Aparatul funcționează deficitar

Verificați dacă:

- Aparatul este supraîncărcat
- Ușa aparatului este închisă corespunzător.
- Nu există praf pe condensator,
- Există destul loc în partea din spate și față de pereții laterali.

Aparatul dvs. funcționează zgomotos

Zgomote normale

Se produce un pârâit:

- În timpul dezghețării automate
- La răcirea sau încălzirea aparatului (datorită dilatației materialelor aparatului)

Se produce un pârâit scurt: Când termostatul pornește/oprește compresorul.

Zgomot motorului: Indică faptul că compresorul funcționează normal. La prima pornire, compresorul poate să genereze un zgomot mai puternic pentru un interval de timp scurt.

Se produce zgomot de bule și stropi: Din cauza curgerii agentului frigorific prin tuburile sistemului.

Se produce zgomot de apă curgând: Datorită apei care curge către recipientul vaporizatorului. Acest zgomot este normal în timpul dezghețării.

Se produce zgomot ca de aer care suflă: La unele modele, în timpul funcționării normale a sistemului datorită circulației aerului.

Marginile aparatului în contact cu articulația ușii sunt calde

În special în timpul verii (sezonul cald), suprafețele aflate în contact cu articulația ușii se pot încălzi în timpul funcționării compresorului, ceea ce este normal.

Se acumulează umiditate în aparat

Verificați dacă:

- Toate alimentele sunt ambalate corect. Recipientele sunt uscate înainte de a fi introduse în aparat.
- Ușa aparatului este deschisă frecvent. Umiditatea din încăperea pătrunde în aparat la deschiderea ușilor. Umiditatea se acumulează mai rapid când deschideți mai frecvent ușile, în special dacă umiditatea din încăperea este ridicată.

Ușa nu se deschide sau închide corespunzător

Verificați dacă:

- Există alimente sau ambalaje care împiedică închiderea ușii.
- Balamalele ușii sunt rupte sau îndoite
- Aparatul dvs. este pe o suprafață dreaptă.

Compresorul poate funcționa puternic sau zgomotul compresorului / frigiderului poate crește în unele modele în timpul funcționării în anumite condiții, astfel încât produsul să fie conectat pentru prima dată, în funcție de schimbarea temperaturii ambiante sau de schimbarea de utilizare. Este normal; când frigiderul atinge temperatura necesară, zgomotul scade automat.

Recomandări

- Dacă aparatul este oprit sau deconectat, așteptați cel puțin 5 minute înainte de a-l conecta sau reporni, pentru a preveni deteriorarea compresorului.
- Dacă nu veți folosi aparatul mai mult timp (de exemplu în concediul de vară), scoateți-l din priză. Curățați aparatul conform capitoului referitor la curățare și lăsați ușa deschisă pentru a preveni formarea umezelii și mirosurilor
- Dacă problema persistă după ce ați urmat toate instrucțiunile de mai sus, vă rugăm să luați legătura cu cel mai apropiat Centru autorizat de service.
- Aparatul pe care l-ați cumpărat este destinat exclusiv utilizării de tip casnic. Nu este destinat pentru uz comercial sau uz comun. Dacă clientul utilizează aparatul fără a respecta aceste indicații, producătorul și distribuitorul nu își asumă răspunderea pentru reparațiile și defectele din perioada de garanție.

Sfaturi pentru economisirea energiei

1. Instalați aparatul într-o cameră răcoasă, bine ventilată, dar nu în lumina directă a soarelui și nici în apropierea unei surse de căldură (radiator, aragaz etc.), în caz contrar fiind necesară utilizarea unei plăci izolatoare.
2. Lăsați alimentele și băuturile calde să se răcească înainte de a le pune în aparat.
3. Amplasați alimentele care se decongelează în compartimentul frigider, dacă există. Temperatura joasă a alimentelor congelate va contribui la răcirea compartimentului frigiderului pe măsură ce acestea se decongelează. Aceasta va economisi energie. Alimentele congelate lăsate să se decongeleze în afara aparatului vor duce la pierderi de energie.
4. Băuturile sau alte lichide trebuie acoperite atunci când sunt în interiorul aparatului. Dacă sunt lăsate neacoperite, umiditatea din aparat va crește pentru că aparatul folosește mai multă energie. Acoperirea băuturilor și a altor lichide va contribui la păstrarea mirosului și a gustului.
5. Evitați să țineți ușile deschise pentru mult timp și să deschideți ușile prea des, deoarece aerul cald va intra în frigider și va determina compresorul să pornească prea des.
6. Păstrați închise capacele compartimentelor cu temperaturi diferite din aparat (cutie pentru fructe și legume, răcitor, dacă există).
7. Garnitura ușii trebuie să fie curată și maleabilă. În cazul uzurii, înlocuiți garnitura.
8. Este posibilă depozitarea mai multor alimente prin demontarea raftului congelatorului. Consumul de energie este calculat la încărcare maximă și fără raftul congelatorului.

SERVICE ȘI ASISTENȚĂ PENTRU CLIEȚI

Utilizați numai piese de schimb originale.

Când contactați centrul nostru de service autorizat, asigurați-vă că aveți la îndemână următoarele informații: Denumirea modelului și numărul de serie.

Informațiile pot fi găsite pe plăcuța cu date tehnice. Acestea pot suferi modificări fără o notificare prealabilă.

DATE TEHNICE

Informațiile tehnice se află pe plăcuța cu date tehnice a aparatului și pe eticheta energetică.

Codul QR de pe eticheta energetică furnizată împreună cu aparatul oferă un link web către informațiile din baza de date EPREL cu privire la performanțele aparatului.

Păstrați eticheta energetică pentru consultări ulterioare, împreună cu manualul de utilizare și cu toate celelalte documente furnizate împreună cu acest aparat.

De asemenea, puteți găsi aceleași informații în baza de date EPREL, folosind link-ul <https://eprel.ec.europa.eu> și denumirea modelului o găsiți pe plăcuța cu date tehnice a aparatului.

Pentru a accesa informațiile despre produsul dvs. în portalul EPREL, puteți scana codurile de mai jos:



Vă mulțumim pentru achiziționarea acestui produs! Dacă aveți nevoie de asistență în ceea ce privește produsul dumneavoastră, vizitați site-ul nostru web utilizând linkurile de mai jos:

Manuale de utilizare: www.framelectrocasnice.ro

Informații referitoare la service: www.framelectrocasnice.ro

MĂSURI PENTRU PROTECȚIA MEDIULUI

Vă informăm că persoanele fizice au următoarele obligații prin legislația specifică privind protecția mediului și regimul deșeurilor: deșeurile de echipamente electrice și electronice (DEEE), pot conține substanțe periculoase pentru mediu și sănătatea umană. Conform OUG 5/2015, există obligativitatea predării acestora, pentru tratarea corespunzătoare și valorificarea componentelor reciclabile.

Societatea Network One Distribution S.R.L. este platitoare de taxă de "timbru verde" pentru fiecare Echipament Electric și Electronic (EEE) pe care îl pune pe piață. Acest cost asigură tratarea ulterioară a echipamentelor uzate colectate. Din acest motiv, odată ce devine deșeu, produsul EEE poate fi predat gratuit operatorului Dvs. de salubritate, la magazine atunci când achiziționați alt echipament similar, sistemul "unul la unu" sau la punctul de colectare organizat de Primăria Sectorului / localității Dvs.



Simbolul (marcajul) aplicat produselor, care indică faptul că deșeurile DEEE, bateriile și acumulatorii fac obiectul unei colectări separate, îl reprezintă o pungă barată cu o cruce.

Aceste măsuri vor ajuta la protejarea mediului.

Societatea Network One Distribution S.R.L. este înscrisă în Registrul de punere pe piață a echipamentelor electrice și electronice, având numărul de înregistrare: RO-2016-03-EEE-0201-IV. De asemenea, au fost întocmite și sunt gestionate: Registrul de Retragere EEE și Registrul de Rechemare EEE, în conformitate cu

HG 322/2013. Totodata societatea este inregistrata in Registrul de punere pe piata a bateriilor, avand numarul de inregistrare: RO-2011-03-B&A-0283.

Conformitatea cu directiva RoHS: Produsul pe care l-ați cumpărat este conform cu Directiva RoHS UE (2011/65/UE). Nu conține materialele dăunătoare și interzise specificate în Directivă.

Va multumim ca participati alaturi de noi la protejarea mediului si a sanatatii umane!



F R A M este marcă înregistrată a companiei Network One Distribution SRL. Celelalte branduri și denumirile produselor sunt mărci de comerț sau mărci de comerț înregistrate ale respectivilor deținători.

Nicio parte a specificațiilor nu poate fi reprodusă sub nicio formă și prin niciun mijloc, nici utilizată pentru obținerea unor derivate precum traduceri, transformări sau adaptări, fără consimțământul prealabil al companiei NETWORK ONE DISTRIBUTION.

Copyright © 2020 Network One Distribution. Toate drepturile rezervate.

www.framelectrocasnice.ro; www.framappliances.com; www.nod.ro



Acest produs este proiectat și realizat în conformitate cu standardele și normele Comunității Europene.



Importator: Network One Distribution

Str. Marcel Iancu, nr. 3-5, București, România

Tel: +40 21 211 18 56, www.framelectrocasnice.ro, www.nod.ro